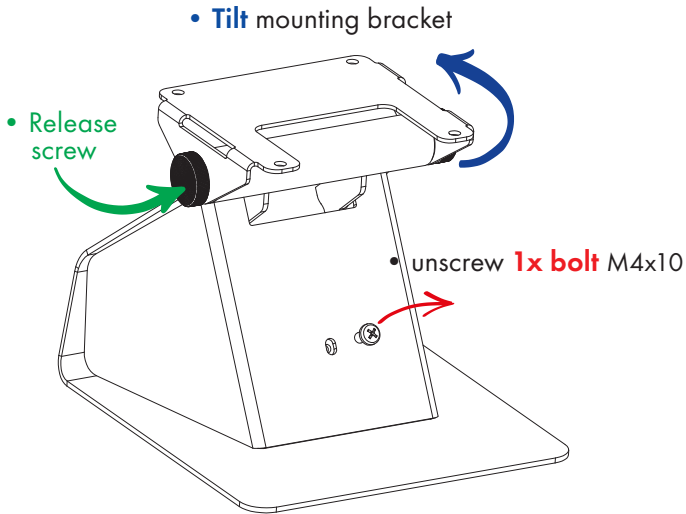


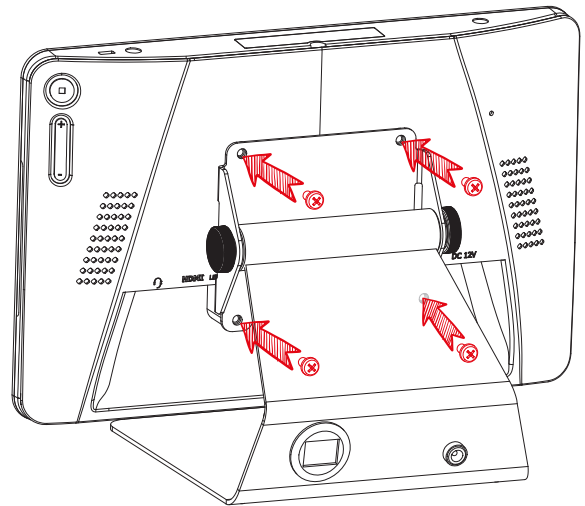
# EasyTouch - quick guide

## Dismounting of holder cover

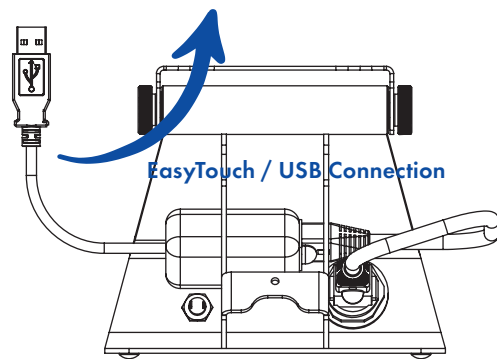
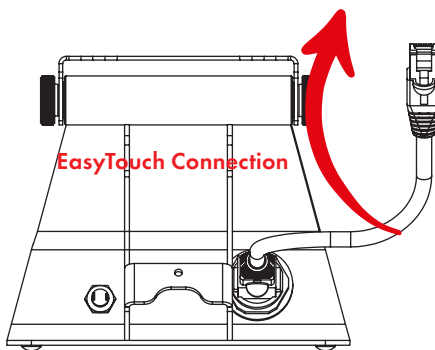
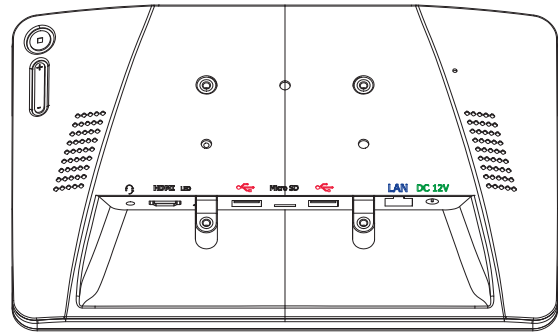
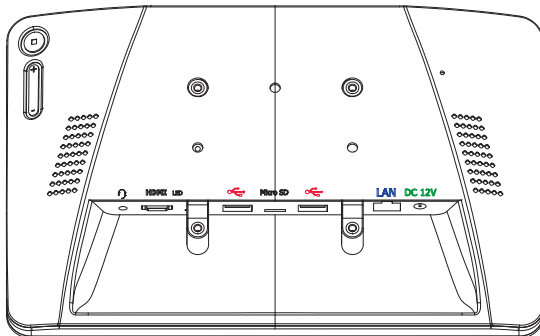


## Tablet mounting

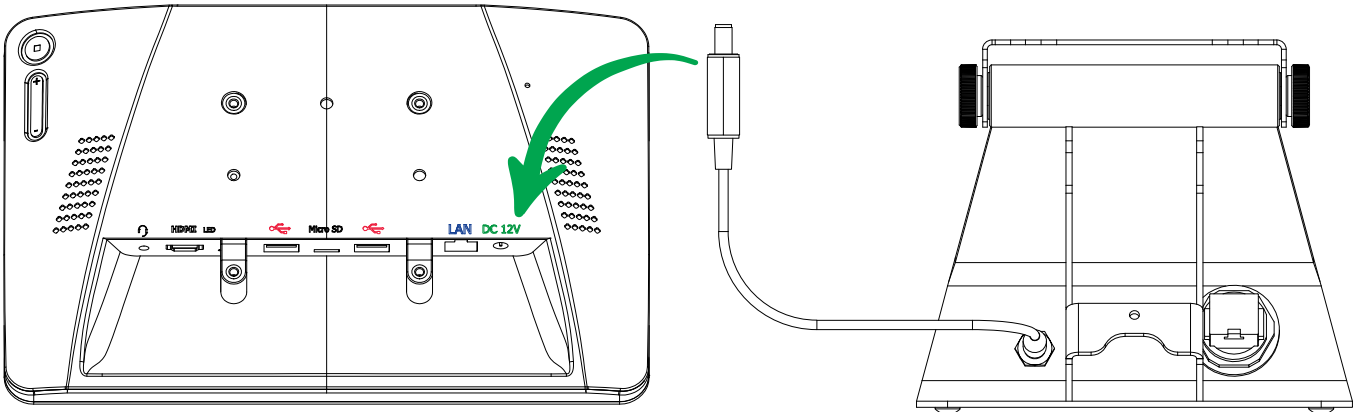
- Use 4x bolt M4x6 to fix tablet on holder



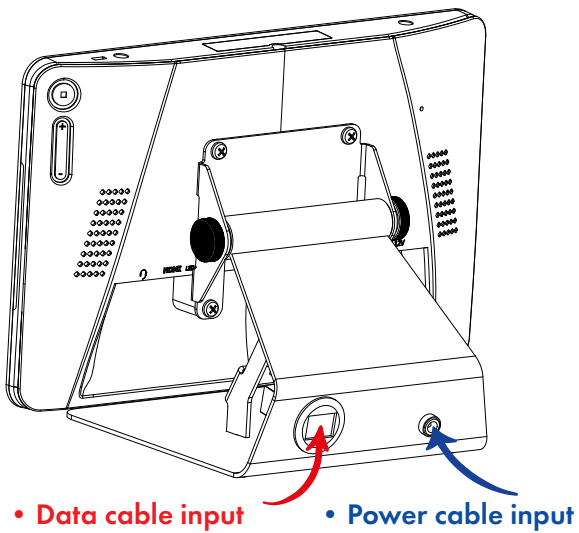
## Data cable connection options



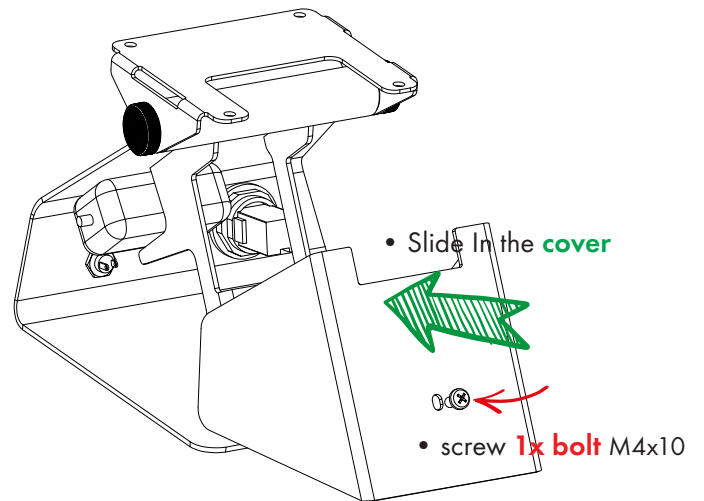
## Power cable connection



## Cabling inputs



## Mounting of holder cover



**Complete manual could be found on Cominfo Extranet**

<https://extranet.cominfo.cz/>